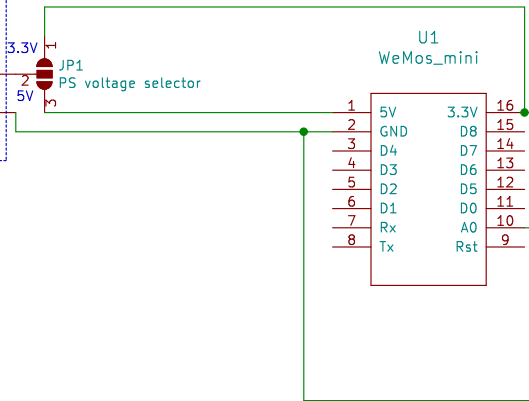
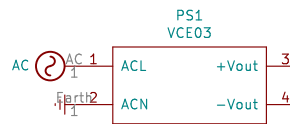
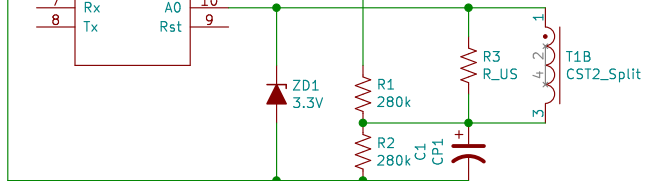


Optional, circuit may be USB powered
VCE03US03, VCE03US05, or equivalent



TODO: notes on burden resistor sizing,
pick some good defaults



R1/R2 provide bias voltage for ADC input (since CT output will go negative).
Schematic is for Vcc/2 because the D1 mini has another divider on board to
make the ADC's input range 0-3.3V (vs. 0-1V for the ESP chip directly).

Plugh Industries	
Sheet: /	
File: esp-current-transformer.sch	
Title: Wemos D1 mini CT interface	
Size: USLetter	Date: 2019-11-17
KiCad E.D.A. kicad (5.0.1)-3	Rev: D1
	Id: 1/1